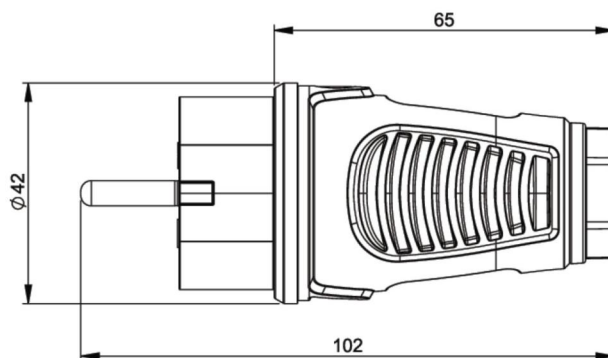


# PCE data sheet

article#	<b>0511-sdg</b>
article description	<b>Taurus2 rubber plug nat IP54 (black/grey)</b>
description long	Safety plug series Taurus2 - rubber color (housing/ring): black/dark grey material (housing/contact carrier): TPE/PA6 earthing system: Austrian/German 16A / 250V AC / 3p (2P+E), protection rating: IP54
GTIN (EAN)	9003399466489
country of origin	AT
customs number	85366990
net weight	0.068 kg
packaging quantity	30
minimum order quantity	200

ETIM 8.0	EC000242
Model	Protective contact (SCHUKO)
Material	Rubber
Material quality	Thermoplastic
For heavy conditions (in accordance with VDE)	True
Degree of protection (IP)	IP54
Angle of plug	Straight
Connection system	Screwed terminal
Colour	Black
Number of poles	3
Nominal voltage	250 V
Nominal current	16 A

K (cable Ø)	6-13 mm
wire flexible	0,75-2,5 mm <sup>2</sup>
contact screws	80 Ncm
strain relief	110 Ncm
dismantling length	30 mm
stripping length	7 mm



<https://www.pcelectric.at/shop/en/?func=detail&artnr=0511-sdg>



[www.manufacturer-safety.info](http://www.manufacturer-safety.info)